

RE: Policy Number:  
 Named Insured:

**SUPPLEMENTAL AND ALTERNATE HEATING QUESTIONNAIRE**

Please complete sections A, B, C, and D below. Explain any "No" answers in the remarks section on the reverse side of his form. Y = Yes, N = No or NA = Not Applicable.

**A. ALL SUPPLEMENTAL/ALTERNATE HEAT DEVICES – annual usage**

1. How often is the heat source used? More than 60 days  31-60 days  30 days or less  Emergency use only

**B. SOLID FUEL (Solid fuel supplemental heating includes, but is not limited to, wood, coal, and pellet stoves)**

1. Type of stove: Wood stove  Pellet stove  Coal stove  Other (describe) \_\_\_\_\_

2. Was the stove installed by a professional installer, such as a contractor or retailer? Y / N

3. Did a Fire Department or Building Inspector inspect and approve or certify the stove installation, including all piping and venting? Y / N

4. Is the chimney and/or stovepipe inspected regularly and cleaned at least once a year or, if less than once a year, is the cleaning at least as often as recommended by the manufacturer?  
 Last inspection date \_\_\_\_/\_\_\_\_/\_\_\_\_ Last cleaning date for stove \_\_\_\_/\_\_\_\_/\_\_\_\_  
 Last cleaning date for chimney \_\_\_\_/\_\_\_\_/\_\_\_\_ Y / N

If the stove is vented into the home's chimney,  
 5. Is the stove the only heating device connected to the chimney flue? Y / N

6. Does the stovepipe have the same diameter (circular size) throughout its entire length? Y / N

7. Is the stovepipe installed so that it extends up to, but not beyond, the chimney flue lining? Y / N

8. Does the stovepipe enter the chimney flue at a point higher than the stove's firebox outlet? Y / N

9. Is a snugly fitted, insulated thimble, such as a double wall insulated thimble, a pipe or fire clay thimble used whenever a stovepipe is connected to a chimney or passes through a wall or ceiling? Y / N / NA

10. Is there at least 18 inches of clearance between the stovepipe and any combustible material, such as ceilings, walls, furniture, etc.? Y / N / NA

11. Is a U/L listed, all fuel metal chimney pipe used if a masonry chimney is not available or practical? Y / N / NA

12. Is the stove free of any cracks, broken or damaged parts? Y / N

13. Is the stove located at least the minimum required distance, per the manufacturer's specifications, from any combustible material, such as walls, furniture, drapes, stored fuel, etc.? Y / N / Unknown

If answer to question 13 is "unknown",  
 14. Is the stove placed on a non-combustible surface, such as a stoveboard or masonry? Y / N

15. Does the non-combustible surface extend a minimum of 18 inches beyond the area where the fuel is loaded and at least 6 inches from the stove's remaining sides? Y / N

16. Is the stove located a minimum of 36 inches away from any combustible material, such as walls, furniture, stored fuel, etc.? Y / N

17. Does the stove have a regulator, such as an automatic draft regulator, a built-in or manually operated damper to control air flow in the stove? Y / N

18. Is there a smoke detector and a fire extinguisher either in the room/area where the stove is used or in an adjacent room/area? Y / N

**C. OTHER ALTERNATE OR SUPPLEMENTAL HEATING DEVICES/SOURCES**

1. Type of heating: Kerosene Space Heater  Electric Space Heater  Gas Space Heater   
 Propane Space Heater  Solar Supplemental Heat  Other (describe) \_\_\_\_\_

2. Is the alternate heating source/space heater thermostatically controlled? Y / N

3. Is the alternate heating source/space heater UL listed? Y / N

4. If any alternate heating source/space heater is permanently installed or vented to the outside, was it installed by a licensed contractor or inspected by the Fire Department or Building Inspector? Y / N / NA

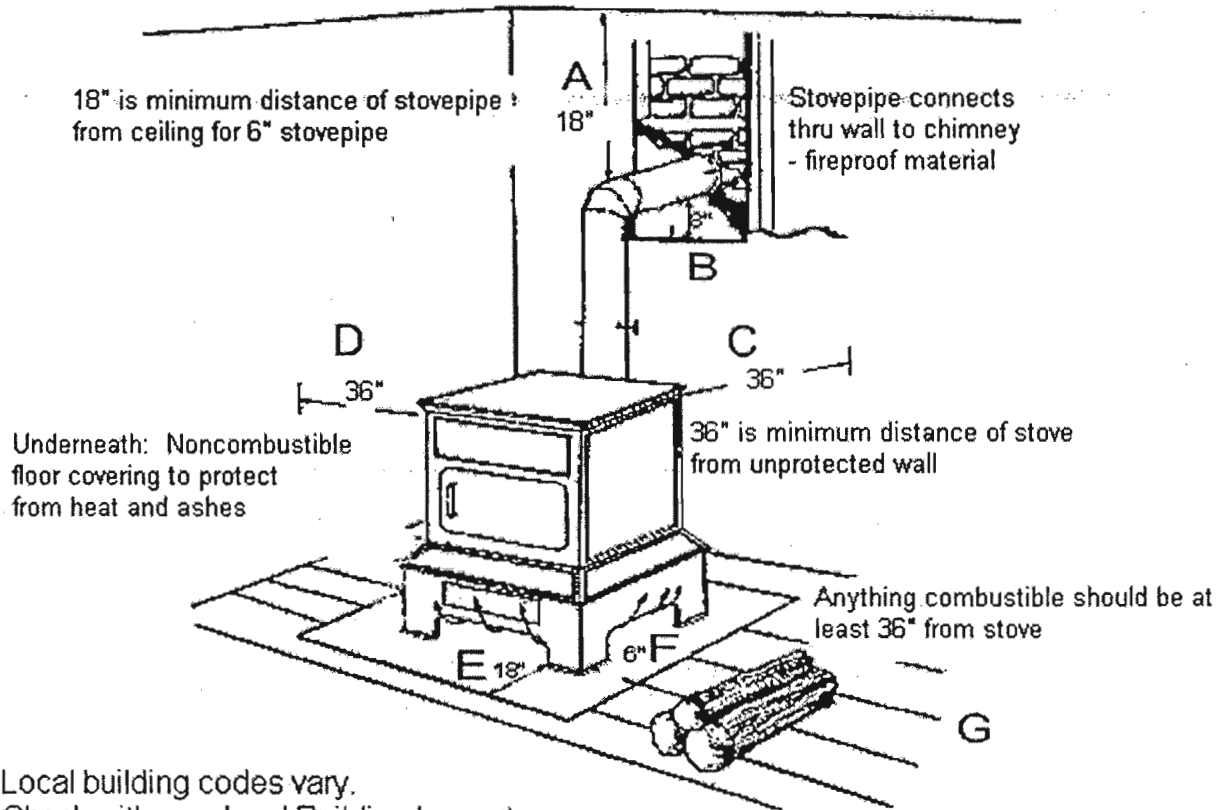
5. Is the alternate heating source/space heater located at least the minimum required distance, per the manufacturer's specifications, from any combustible material, such as walls, furniture, drapes? Y / N / Unknown

RE: Policy Number:  
 Named Insured:

**D. CLEARANCE DISTANCES OF YOUR WOOD, COAL, OR PELLET STOVE**

The diagram below shows a typical wood stove installation. The wood, pellet, or coal stove installation in your home may have different distances to the adjacent walls, floor, etc. than those shown. **Please indicate the approximate distance from your stove to these items in your home.** Note: This diagram may also be of assistance in answering some of the questions shown on the front side of this form.

Item	Description
A	Distance from top of stove pipe to ceiling ___ inches
B	Distance from stove pipe as it passes through wall to combustible material (or size of thimble/collar) ___ inches
C	Distance from stove to unprotected wall behind the stove ___ inches
D	Distance from stove to closest unprotected wall on either side ___ inches
E	Distance from front of stove to the end of the floor protection in front of the stove ___ inches
F	Distance from bottom of stove to the floor ___ inches
G	Distance from stove to closest combustible material (e.g. drapes, chair, stacked wood, etc.) ___ inches



Local building codes vary.  
 Check with your local Building Inspector  
 or Fire Department

**REMARKS** – Please explain any “No” answers below.

This form was completed by: Applicant/Insured  Agent  Building Inspector  Fire Department Rep  Other

Signature: \_\_\_\_\_ Date: \_\_\_\_\_